

## Experimental generation of tripartite polarization entangled states of bright optical beams

Liang Wu, Zhihui Yan, Yanhong Liu, Ruijie Deng, Xiaojun Jia, Changde Xie, and Kunchi Peng

Citation: [Applied Physics Letters](#) **108**, 161102 (2016); doi: 10.1063/1.4947103

View online: <http://dx.doi.org/10.1063/1.4947103>

View Table of Contents: <http://scitation.aip.org/content/aip/journal/apl/108/16?ver=pdfcov>

Published by the [AIP Publishing](#)

---

### Articles you may be interested in

[Magneto-optical polarization rotation in a ladder-type atomic system for tunable offset locking](#)

*Appl. Phys. Lett.* **108**, 161103 (2016); 10.1063/1.4947104

[Characterization of our source of polarization-entangled photons](#)

*AIP Conf. Proc.* **1508**, 115 (2012); 10.1063/1.4773123

[Polarization orthogonalizer for a pair of laser beams with nearly equal frequencies](#)

*Rev. Sci. Instrum.* **79**, 126104 (2008); 10.1063/1.3040499

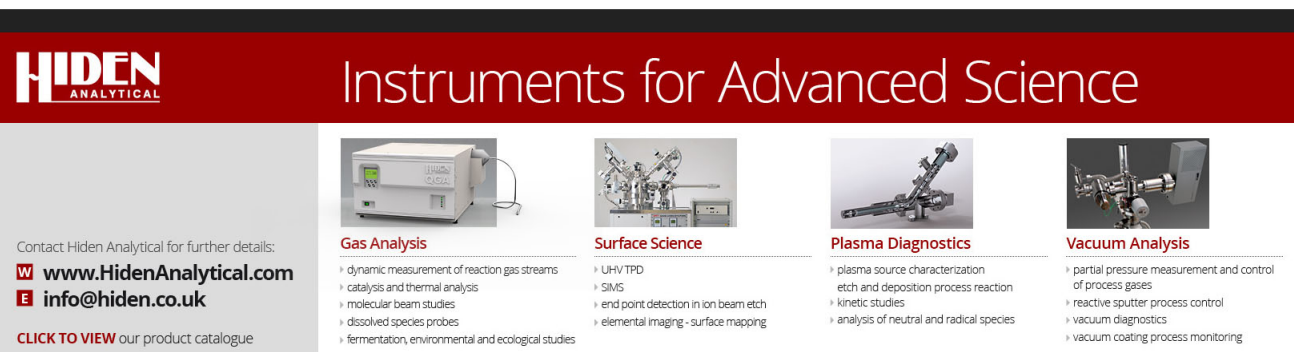
[Generation of frequency tunable polarization entangled photon pairs](#)

*J. Appl. Phys.* **99**, 063101 (2006); 10.1063/1.2183355

[Generation and Applications of Single Photon States and Entangled Photon States](#)

*AIP Conf. Proc.* **709**, 348 (2004); 10.1063/1.1764028




---



**HIDEN**  
ANALYTICAL

## Instruments for Advanced Science

Contact Hiden Analytical for further details:  
**W** [www.HidenAnalytical.com](http://www.HidenAnalytical.com)  
**E** [info@hiden.co.uk](mailto:info@hiden.co.uk)  
**CLICK TO VIEW** our product catalogue

 <b>Gas Analysis</b>	 <b>Surface Science</b>	 <b>Plasma Diagnostics</b>	 <b>Vacuum Analysis</b>
<ul style="list-style-type: none"><li>dynamic measurement of reaction gas streams</li><li>catalysis and thermal analysis</li><li>molecular beam studies</li><li>dissolved species probes</li><li>fermentation, environmental and ecological studies</li></ul>	<ul style="list-style-type: none"><li>UHV TPD</li><li>SIMS</li><li>end point detection in ion beam etch</li><li>elemental imaging - surface mapping</li></ul>	<ul style="list-style-type: none"><li>plasma source characterization</li><li>etch and deposition process reaction</li><li>kinetic studies</li><li>analysis of neutral and radical species</li></ul>	<ul style="list-style-type: none"><li>partial pressure measurement and control of process gases</li><li>reactive sputter process control</li><li>vacuum diagnostics</li><li>vacuum coating process monitoring</li></ul>

# Experimental generation of tripartite polarization entangled states of bright optical beams

Liang Wu,<sup>1</sup> Zhihui Yan,<sup>1,2</sup> Yanhong Liu,<sup>1</sup> Ruijie Deng,<sup>1</sup> Xiaojun Jia,<sup>1,2,a)</sup> Changde Xie,<sup>1,2</sup> and Kunchi Peng<sup>1,2</sup>

<sup>1</sup>State Key Laboratory of Quantum Optics and Quantum Optics Devices, Institute of Opto-Electronics, Shanxi University, Taiyuan 030006, People's Republic of China

<sup>2</sup>Collaborative Innovation Center of Extreme Optics, Shanxi University, Taiyuan 030006, People's Republic of China

(Received 28 December 2015; accepted 7 April 2016; published online 18 April 2016)

The multipartite polarization entangled states of bright optical beams directly associating with the spin states of atomic ensembles are one of the essential resources in the future quantum information networks, which can be conveniently utilized to transfer and convert quantum states across a network composed of many atomic nodes. In this letter, we present the experimental demonstration of tripartite polarization entanglement described by Stokes operators of optical field. The tripartite entangled states of light at the frequency resonant with D1 line of Rubidium atoms are transformed into the continuous variable polarization entanglement among three bright optical beams via an optical beam splitter network. The obtained entanglement is confirmed by the extended criterion for polarization entanglement of multipartite quantized optical modes. *Published by AIP Publishing.* [<http://dx.doi.org/10.1063/1.4947103>]

Quantum entanglement plays the kernel role in the developing of quantum information technology and has been applied in a variety of quantum communication and computation protocols.<sup>1–8</sup> At present, the interest has focused on building the quantum internet<sup>9</sup> composed of quantum nodes and quantum information transmission channel.<sup>10,11</sup> Continuous-variable (CV) polarization entanglement of optical field can be manipulated and detected with high efficiency, and the bright polarization entangled beams can be directly measured without the need of a local oscillator.<sup>12–15</sup> Furthermore, both the polarization of light and atomic spin are described by Stokes operators, and the fluctuations of the polarization variables can be easily mapped onto the collective fluctuations of an atomic ensemble; thus, the quantum state transfer between CV polarization states and spin states of atomic ensembles can be conveniently realized.<sup>12</sup> In 2002, Korolkova *et al.* introduced the physical concept about CV polarization entangled states and proposed schemes of generating and characterizing them.<sup>16</sup> Lam's group experimentally demonstrated CV polarization squeezing and bipartite entanglement by means of two degenerate optical parameter amplifiers (DOPAs).<sup>13</sup> Then the polarization entanglement between two optical modes was realized by Leuchs's group with the asymmetric fiber-optic Sagnac interferometer.<sup>14,17</sup> The polarization entanglement was also produced in cold cesium atoms placed inside an optical cavity with high finesse.<sup>18</sup>

However, the bipartite entanglement is not enough to establish quantum networks; thus, we have to prepare the polarization entangled states with more than two submodes. Here we report the experimental generation of CV tripartite polarization entangled states of light resonant on the Rb D1 line (795 nm), which are suitable for implementing optical

storage and realizing the interaction between light and atoms. According to the inseparability criterion for the multipartite polarization entanglement deduced by us before,<sup>19</sup> the obtained polarization entangled state is characterized quantitatively. The experimentally produced tripartite entangled states also satisfies the criterion for the genuine multipartite entanglement deduced by Teh and Reid.<sup>20</sup> The experimental system and scheme can be directly extended to produce CV polarization entangled states with more submodes.

In quantum optics, the Stokes operators ( $\hat{S}_0$ ,  $\hat{S}_1$ ,  $\hat{S}_2$ , and  $\hat{S}_3$ ) are usually used to describe the polarization state of light,<sup>21</sup> which satisfy a spherical equation  $\hat{S}_1^2 + \hat{S}_2^2 + \hat{S}_3^2 = \hat{S}_0^2 + 2\hat{S}_0$  and constitute a Poincaré sphere.<sup>15,16</sup>  $\hat{S}_0$  represents the beam intensity, whereas  $\hat{S}_1$ ,  $\hat{S}_2$ , and  $\hat{S}_3$  characterize its polarization and form a Cartesian axes system, which can be easily mapped to the spin operators of the atomic media. The Stokes parameters for pure states can be described by the corresponding annihilation  $\hat{a}_{H(V)}$  and creation  $\hat{a}_{H(V)}^\dagger$  operators of the constituent horizontally (subscript H) and vertically (subscript V) polarized modes in the frequency space, that are

$$\hat{S}_0 = \hat{a}_H^\dagger \hat{a}_H + \hat{a}_V^\dagger \hat{a}_V, \quad \hat{S}_2 = \hat{a}_H^\dagger \hat{a}_V e^{i\theta} + \hat{a}_V^\dagger \hat{a}_H e^{-i\theta}, \quad (1)$$

$$\hat{S}_1 = \hat{a}_H^\dagger \hat{a}_H - \hat{a}_V^\dagger \hat{a}_V, \quad \hat{S}_3 = i\hat{a}_V^\dagger \hat{a}_H e^{-i\theta} - i\hat{a}_H^\dagger \hat{a}_V e^{i\theta}. \quad (2)$$

where  $\theta$  is the relative phase between the H and V-polarization modes.

The schematic for the generation of tripartite polarization entangled state is shown in Fig. 1. A quadrature phase squeezed state of light ( $\hat{a}_1$ ) and two quadrature amplitude squeezed state of light ( $\hat{a}_2$  and  $\hat{a}_3$ ) interfere on beam splitters BS<sub>1</sub> (BS<sub>2</sub>), with the ratio of reflectivity and transmissivity R:T = 1:2 (1:1) to generate a tripartite Greenberger-Horne-Zeilinger (GHZ)-like entangled state ( $\hat{b}_1$ ,  $\hat{b}_2$ , and  $\hat{b}_3$ ).<sup>22</sup> The three submodes  $\hat{b}_1$ ,  $\hat{b}_2$ , and  $\hat{b}_3$ , each of which is a weak horizontal polarized (H) states,

<sup>a)</sup>Electronic mail: jiaxj@sxu.edu.cn

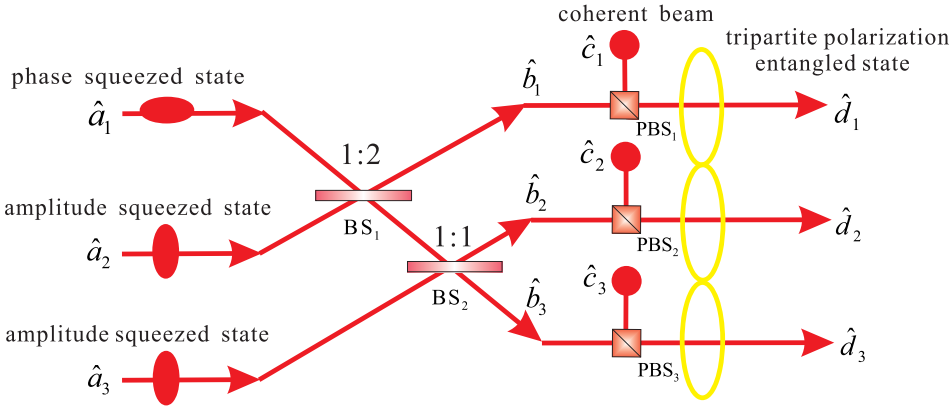


FIG. 1. Schematic for the generation of tripartite polarization entangled state.

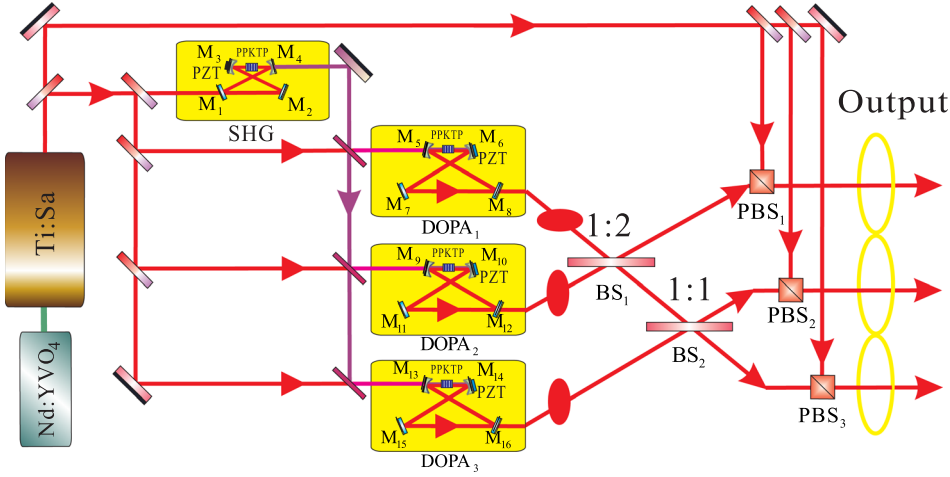


FIG. 2. The experimental setup for the generation of tripartite polarization entangled state. Nd:YVO<sub>4</sub>: Nd:YVO<sub>4</sub> green laser; Ti:Sa, titanium sapphire laser; SHG: second harmonic generation cavity; DOPA: degenerate optical parameter amplifiers; BS<sub>1-2</sub>: beam splitter with different reflectivity; PBS<sub>1-3</sub>: polarization beam splitter.

are coupled with three strong vertical polarized (V) coherent beams  $\hat{c}_1$ ,  $\hat{c}_2$ , and  $\hat{c}_3$  on three polarization beam splitters (PBS<sub>1-3</sub>), respectively. For simplicity and without loss of generality, the average power of the three squeezed states of light (coherent light) is adjusted to equal, that is:  $\alpha_{a_1}^2 = \alpha_{a_2}^2 = \alpha_{a_3}^2 = \alpha_a^2$  ( $\alpha_{c_1}^2 = \alpha_{c_2}^2 = \alpha_{c_3}^2 = \alpha_c^2$ ). The ratio of the intensity of the squeezing and coherent light is:  $\alpha_a^2/\alpha_c^2 = 1/30$ . The phase difference  $\theta$  on the beam splitters BS<sub>1,2</sub> and PBS<sub>1-3</sub> all are controlled to  $2k\pi$  ( $k$  is an integer). The noise operators of the quadrature amplitude  $\delta\hat{X}_{a_i}^+(\Omega)$  (phase  $\delta\hat{X}_{a_i}^-(\Omega)$ ) of a squeezed

state at the sideband frequency ( $\Omega$ ) can be expressed as  $\delta\hat{X}_{a_2(3)}^+(\Omega) = e^{-r_2(3)}\delta\hat{X}_{a_2(3)}^{+(0)}(\Omega)$ ,  $\delta\hat{X}_{a_2(3)}^-(\Omega) = e^{r_2(3)+r'_2(3)}\delta\hat{X}_{a_2(3)}^{-(0)}(\Omega)$  ( $\delta\hat{X}_{a_1}^+(\Omega) = e^{r_1+r'_1}\delta\hat{X}_{a_1}^{+(0)}(\Omega)$ ,  $\delta\hat{X}_{a_1}^-(\Omega) = e^{-r_1}\delta\hat{X}_{a_1}^{-(0)}(\Omega)$ ), where  $\delta\hat{X}_{a_i}^{\pm(0)}(\Omega)$  are the amplitude (+) and phase (-) noise operators of the input beams of DOPAs,  $r_i$  is the squeezing parameter, and  $r'_i$  is the factor of extra noise on the antisqueezed quadrature components.<sup>23</sup> Since  $\alpha_a^2 \ll \alpha_c^2$ , the quantum fluctuation variances of Stokes operators are expressed as

$$\begin{aligned}
 \delta^2\hat{S}_{0_{a_1(d_2,d_3)}}(\Omega) &= \delta^2\hat{S}_{1_{d_1(d_2,d_3)}}(\Omega) = 4\alpha_c^2\delta^2\hat{X}_{c_1(2,3)}^+(\Omega), \\
 \delta^2\hat{S}_{2_{d_1}}(\Omega) &= 4\alpha_c^2\left(\frac{e^{2r_1+2r'_1}}{3}\delta^2\hat{X}_{a_1}^{+(0)}(\Omega) + \frac{2e^{-2r_2}}{3}\delta^2\hat{X}_{a_2}^{+(0)}(\Omega)\right), \\
 \delta^2\hat{S}_{3_{d_1}}(\Omega) &= 4\alpha_c^2\left(\frac{e^{-2r_1}}{3}\delta^2\hat{X}_{a_1}^{-(0)}(\Omega) + \frac{2e^{2r_2+2r'_2}}{3}\delta^2\hat{X}_{a_2}^{-(0)}(\Omega)\right), \\
 \delta^2\hat{S}_{2_{d_2}}(\Omega) &= 4\alpha_c^2\left(\frac{e^{2r_1+2r'_1}}{3}\delta^2\hat{X}_{a_1}^{+(0)}(\Omega) - \frac{e^{-2r_2}}{6}\delta^2\hat{X}_{a_2}^{+(0)}(\Omega) + \frac{e^{-2r_3}}{2}\delta^2\hat{X}_{a_3}^{+(0)}(\Omega)\right), \\
 \delta^2\hat{S}_{3_{d_2}}(\Omega) &= 4\alpha_c^2\left(\frac{e^{-2r_1}}{3}\delta^2\hat{X}_{a_1}^{-(0)}(\Omega) - \frac{e^{2r_2+2r'_2}}{6}\delta^2\hat{X}_{a_2}^{-(0)}(\Omega) + \frac{e^{2r_3+2r'_3}}{2}\delta^2\hat{X}_{a_3}^{-(0)}(\Omega)\right), \\
 \delta^2\hat{S}_{2_{d_3}}(\Omega) &= 4\alpha_c^2\left(\frac{e^{2r_1+2r'_1}}{3}\delta^2\hat{X}_{a_1}^{+(0)}(\Omega) - \frac{e^{-2r_2}}{6}\delta^2\hat{X}_{a_2}^{+(0)}(\Omega) - \frac{e^{-2r_3}}{2}\delta^2\hat{X}_{a_3}^{+(0)}(\Omega)\right), \\
 \delta^2\hat{S}_{3_{d_3}}(\Omega) &= 4\alpha_c^2\left(\frac{e^{-2r_1}}{3}\delta^2\hat{X}_{a_1}^{-(0)}(\Omega) - \frac{e^{2r_2+2r'_2}}{6}\delta^2\hat{X}_{a_2}^{-(0)}(\Omega) - \frac{e^{2r_3+2r'_3}}{2}\delta^2\hat{X}_{a_3}^{-(0)}(\Omega)\right),
 \end{aligned} \tag{3}$$

where  $\delta^2 \hat{S}_{j_k}(\Omega)$  ( $j=0, 1, 2, 3; k=1, 2, 3$ ) are the variances of Stokes operators of beam  $d_k$ ,  $\delta^2 \hat{X}_{c_{1(2,3)}}^{\dagger}(\Omega)$  are the variances of quadrature amplitude operators of beam  $c_{1-3}$ .

Bowen *et al.* extended the inseparability criterion characterizing CV quadrature entanglement<sup>24,25</sup> to CV bipartite polarization entanglement.<sup>13</sup> van Loock and Furusawa gave the inseparability criterion formula for multipartite states in 2003.<sup>22</sup> Very recently, we deduced the tripartite inseparability criterion of Stokes operators for optical beams<sup>19</sup> based on the theoretical analysis in Ref. 22

$$\begin{aligned} I_1 &\equiv \frac{\delta^2(\hat{S}_{2d_2} - \hat{S}_{2d_3}) + \delta^2(g_1 \hat{S}_{3d_1} + \hat{S}_{3d_2} + \hat{S}_{3d_3})}{4|\alpha_c^2 - \alpha_a^2|} \geq 1, \\ I_2 &\equiv \frac{\delta^2(\hat{S}_{2d_1} - \hat{S}_{2d_3}) + \delta^2(\hat{S}_{3d_1} + g_2 \hat{S}_{3d_2} + \hat{S}_{3d_3})}{4|\alpha_c^2 - \alpha_a^2|} \geq 1, \\ I_3 &\equiv \frac{\delta^2(\hat{S}_{2d_1} - \hat{S}_{2d_2}) + \delta^2(\hat{S}_{3d_1} + \hat{S}_{3d_2} + g_3 \hat{S}_{3d_3})}{4|\alpha_c^2 - \alpha_a^2|} \geq 1, \end{aligned} \quad (4)$$

where  $I_1, I_2$ , and  $I_3$  are the normalized correlation variances among Stokes operators, and  $g_j$  ( $j=1, 2, 3$ ) are the adjustable classical gains for minimizing the correlation variances. When any two in the three inequalities are simultaneously violated, the three optical modes are in a tripartite polarization inseparable state.

In order to show the dependence of the correlation variances on the experimental parameters, the expressions of the normalized tripartite correlation variances based on the experimental parameters of three optical submodes can be obtained

$$\begin{aligned} I_1 &= \{\alpha_c^2[12e^{-2r_3} + 2(g_1 + 2)^2 e^{-2r_1} + 4(g_1 - 1)^2 \\ &\quad \times e^{2(r_2+r'_2)}]\}/(24|\alpha_c^2 - \alpha_a^2|), \\ I_2 &= \{\alpha_c^2[3e^{-2r_3} + 9e^{-2r_2} + 2(g_2 + 2)^2 e^{-2r_1} + 3(g_2 - 1)^2 \\ &\quad \times e^{2(r_3+r'_3)} + (g_2 - 1)^2 e^{2(r_2+r'_2)}]\}/(24|\alpha_c^2 - \alpha_a^2|), \\ I_3 &= \{\alpha_c^2[3e^{-2r_3} + 9e^{-2r_2} + 2(g_3 + 2)^2 e^{-2r_1} + 3(g_3 - 1)^2 \\ &\quad \times e^{2(r_3+r'_3)} + (g_3 - 1)^2 e^{2(r_2+r'_2)}]\}/(24|\alpha_c^2 - \alpha_a^2|). \end{aligned} \quad (5)$$

Calculating the minimum values of the expressions (5), we get the dependence of the optimal gains ( $g_i^{opt}$ ) on the experimental parameters, that are

$$g_1^{opt} = \frac{2e^{2r_1+2r_2+2r'_2} - 2}{2e^{2r_1+2r_2+2r'_2} + 1}, \quad (6)$$

$$g_2^{opt} = g_3^{opt} = \frac{e^{2r_1+2r_2+2r'_2} + 3e^{2r_1+2r_3+2r'_3} - 4}{e^{2r_1+2r_2+2r'_2} + 3e^{2r_1+2r_3+2r'_3} + 2}. \quad (7)$$

In 2014, Teh and Reid pointed out the difference between the genuine N-partite entanglement and full N-partite inseparability, and presented the criterion inequalities for the genuine multipartite entanglement among optical modes.<sup>20</sup> Based on Refs. 20 and 26, we know that the sum of variances of an observable cannot be less than the weighted sum of the variances of the component states for any mixture

$$\delta^2(\hat{S}_2) + \delta^2(\hat{S}_3) \geq \sum_k P_k (\delta_k^2(\hat{S}_2) + \delta_k^2(\hat{S}_3)), \quad (8)$$

where  $P_k$  is a probability the system is separable across the bipartition  $k$  (thus,  $\sum_k P_k = 1$ ) and  $\delta_k^2(\hat{S}_{2(3)})$  denotes the variance of  $\hat{S}_{2(3)}$  for the system in the state  $\rho_k$ .<sup>26</sup> For tripartite state, since  $I_1$  is the sum of two variances, we can get

$$\begin{aligned} I_1 &\geq P_1 I_{1,1} + P_2 I_{1,2} + P_3 I_{1,3} \\ &\geq P_1 I_{1,1} + P_2 I_{1,2} \geq P_1 + P_2. \end{aligned} \quad (9)$$

Similarly,  $I_2 \geq P_2 + P_3$  and  $I_3 \geq P_3 + P_1$ . Since  $\sum_k P_k = 1$ , for any mixture it must be true

$$I_1 + I_2 + I_3 \geq 2. \quad (10)$$

That is, for the genuine tripartite polarization entanglement, the above inequality must be violated.<sup>20</sup>

The experimental setup for the generation of tripartite polarization entanglement is shown in Fig. 2. The Nd: YVO<sub>4</sub> green laser (DPSS FG-VIII B produced by Yuguang company) is used to pump the titanium sapphire laser (MBR 110 produced by the Coherent company). The output of the titanium sapphire laser is divided into three parts, the first part is used as the seed beams of three DOPAs, the second part is used as the coherent beam for transferring the quadrature entanglement to the polarization entanglement, and the rest is sent to the second harmonic generation (SHG) cavity for obtaining the pump light of three DOPAs. The cavity for SHG is a four-mirror ring cavity consisting of two plane mirrors ( $M_1, M_2$ ), two spherical mirrors ( $M_3, M_4$ ), and a type-I phase matching  $1 \times 2 \times 10 \text{ mm}^3$  PPKTP crystal.<sup>27,28</sup> The plane mirror  $M_1$  is used as the input coupler, which is coated with transmissivity of 13% at 795 nm. The other three mirrors ( $M_{2-4}$ ) are highly reflecting for subharmonic optical field (795 nm) and  $M_4$  is also coated with anti-reflecting at 397.5 nm to be the output coupler of the second harmonic optical field. Piezoelectric transducer (PZT) mounted on  $M_3$  and Pound-Drever-Hall technique are used to lock the cavity length. The output beams from SHG with wavelength at 397.5 nm are split into three parts to pump three DOPAs.

The three DOPAs have the same configuration, which are also the four-mirror ring cavity consisting of two plane mirrors and two spherical mirrors with the radius curvature of 100 mm. A type-I phase matching PPKTP crystal, which is in the middle of two spherical mirrors, is placed in a copper-made oven and temperature-controlled around 54 °C with a Peltier element for achieving the optimal phase matching. The spherical mirrors ( $M_5, M_9$ , and  $M_{13}$ ) are used as the input coupler of the corresponding DOPAs, which are coated with anti-reflection for the pump field and high-reflectivity for the subharmonic optical field. Another spherical mirrors ( $M_6, M_{10}$ , and  $M_{14}$ ) and the plane mirrors ( $M_7, M_{11}$  and  $M_{15}$ ) are coated with high reflection for the subharmonic modes. Another plane mirrors ( $M_8, M_{12}$  and  $M_{16}$ ) coated with  $T=5.0\%$  for 795 nm are used as the output couplers.  $M_6$  ( $M_{10}, M_{14}$ ) is mounted on a PZT to scan actively the cavity length of the DOPA<sub>1</sub> (DOPA<sub>2</sub>, DOPA<sub>3</sub>) or lock it on resonance with injected seed beam as needed by the Pound-Drever-Hall technique.<sup>7,29</sup> In order to reduce the threshold and maximize the nonlinear conversion efficiency

in DOPAs, a beam waist of  $39\ \mu\text{m}$  for the subharmonic optical field is chosen by controlling the length of the cavity. The finesses of DOPA<sub>1</sub>, DOPA<sub>2</sub>, and DOPA<sub>3</sub> for the subharmonic mode are 111, 110, and 110, respectively.

When the relative phase between the pump field and seed field is locked to  $(2k+1)\pi$  ( $2k\pi$ ) ( $k$  is an integer), the output optical field from DOPAs is quadrature amplitude (phase) squeezed state of light.<sup>30</sup> In our experiment, DOPA<sub>1</sub> is locked to  $2k\pi$ , as well as DOPA<sub>2</sub> and DOPA<sub>3</sub> are locked to  $(2k+1)\pi$  to obtain the needed quadrature squeezed states as shown in Fig. 1. The power of pump beam for all three DOPAs is about 40 mW, and the power of the seed beam for the DOPA<sub>1</sub> and DOPA<sub>2(3)</sub> is about 0.2 mW and 2 mW respectively. In this case, the power of the output beam from the three DOPAs is almost the same. The quadrature phase squeezed state of light generated by DOPA<sub>1</sub> and the quadrature amplitude squeezed state of light generated by DOPA<sub>2</sub> are interfered on beam splitter BS<sub>1</sub>. One of two output beams from BS<sub>1</sub> and the output of DOPA<sub>3</sub> are interfered on BS<sub>2</sub>. The relative phase between the two input beams of BS<sub>1</sub> and BS<sub>2</sub> is  $2k\pi$ . The outgoing three optical beams from the two beam splitters are in tripartite GHZ-like entangled states. Then, the obtained tripartite quadrature entangled states are transformed into tripartite polarization entanglement by coupling with three strong coherent beams on PBS<sub>1-3</sub> with the phase difference of  $2k\pi$ . The three output beams are detected by three sets of Stokes parameters measurement systems with a spectrum analyzer (SA), which have been introduced in the previous experiment.<sup>13</sup> The output from DOPA is a broadband quadrature squeezed state of light, i.e., we can observe the squeezing

phenomenon within the frequency bandwidth of the DOPA. Since in the region of lower frequencies the quantum noise of the laser is far higher than the shot noise limit (SNL) due to the influence of the extra noises in the pump laser, we measure the correlation variances over the analysis frequency range from 1.0 to 6.0 MHz. Fig. 3 show the measured correlation variances of  $\delta^2(\hat{S}_{2d_2} - \hat{S}_{2d_3})$ ,  $\delta^2(g_1\hat{S}_{3d_1} + \hat{S}_{3d_2} + \hat{S}_{3d_3})$ ,  $\delta^2(\hat{S}_{2d_1} - \hat{S}_{2d_3})$ ,  $\delta^2(\hat{S}_{3d_1} + g_2\hat{S}_{3d_2} + \hat{S}_{3d_3})$ ,  $\delta^2(\hat{S}_{2d_1} - \hat{S}_{2d_2})$ , and  $\delta^2(\hat{S}_{3d_1} + \hat{S}_{3d_2} + g_3\hat{S}_{3d_3})$ . The traces (ii) are the measured quantum correlation noises and the traces (i) are the corresponding normalized SNL. When the correlation variances of  $\delta^2(g_1\hat{S}_{3d_1} + \hat{S}_{3d_2} + \hat{S}_{3d_3})$ ,  $\delta^2(\hat{S}_{3d_1} + g_2\hat{S}_{3d_2} + \hat{S}_{3d_3})$ , and  $\delta^2(\hat{S}_{3d_1} + \hat{S}_{3d_2} + g_3\hat{S}_{3d_3})$  are measured, the optimal gains are chosen to minimize the correlation variances for maximizing the measured entanglement. The experimentally optimal gains are in good agreement with the theoretically calculated values ( $g_1^{opt} = g_2^{opt} = g_3^{opt} = 0.845$ ) from Eqs. (6) and (7). Both of the correlation variances are below the corresponding SNL throughout the frequency range from 1.3 MHz to 6.0 MHz. The best entanglement is observed at 5 MHz with  $I_1 = 0.42 \pm 0.08$ ,  $I_2 = 0.41 \pm 0.08$ ,  $I_3 = 0.42 \pm 0.08$ , and  $I_1 + I_2 + I_3 = 1.25 \pm 0.07$ , which violate the criteria for both tripartite inseparability and genuine tripartite entanglement, thus we say, that the genuine tripartite polarization entanglement is verified.

To the conclusion, we present the experimental generation of CV multipartite polarization entanglement by means of transforming the quadrature entanglement into a polarization basis. In the presented scheme, multipartite quadrature entangled states are the basic sources for the generation of multipartite polarization entangled states. Although we just

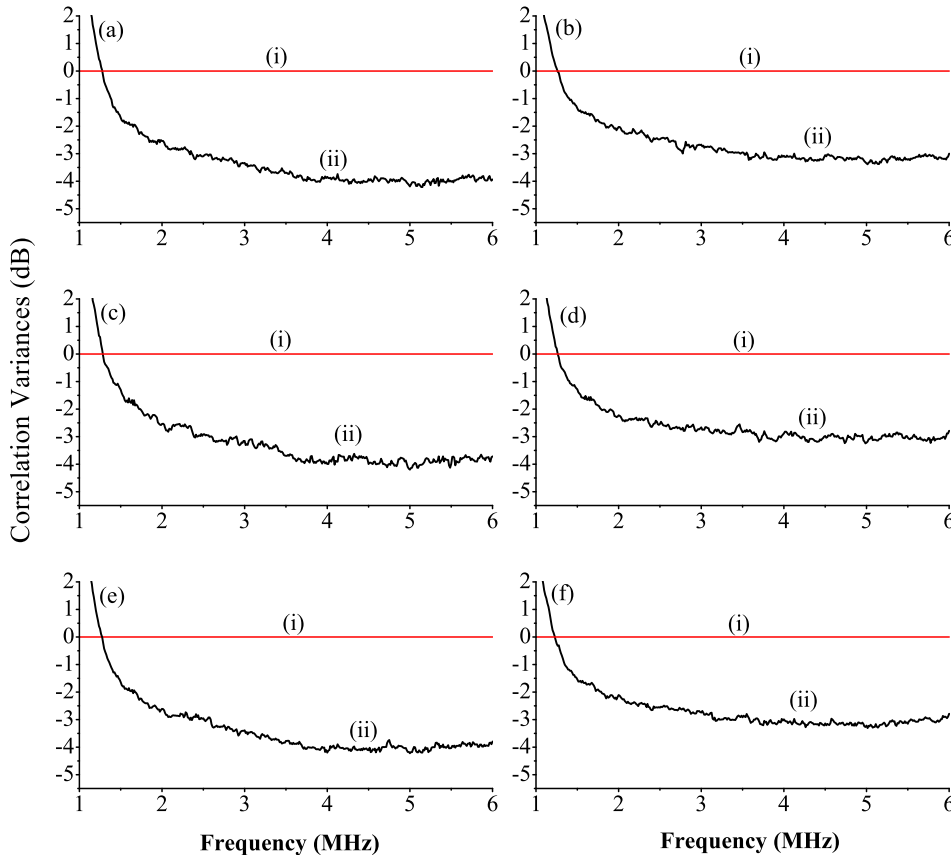


FIG. 3. The measured correlation variances of  $\delta^2(\hat{S}_{2d_2} - \hat{S}_{2d_3})$  (a),  $\delta^2(g_1\hat{S}_{3d_1} + \hat{S}_{3d_2} + \hat{S}_{3d_3})$  (b),  $\delta^2(\hat{S}_{2d_1} - \hat{S}_{2d_3})$  (c),  $\delta^2(\hat{S}_{3d_1} + g_2\hat{S}_{3d_2} + \hat{S}_{3d_3})$  (d),  $\delta^2(\hat{S}_{2d_1} - \hat{S}_{2d_2})$  (e), and  $\delta^2(\hat{S}_{3d_1} + \hat{S}_{3d_2} + g_3\hat{S}_{3d_3})$  (f) over the analysis frequency range from 1.0 to 6.0 MHz. The trace (i) is the corresponding normalized SNL and the trace (ii) is the quantum correlation noise. The measurement parameters of SA: resolution bandwidth (RBW): 300 kHz; video bandwidth (VBW): 300 Hz.

combined a tripartite entangled state and three bright coherent optical beams to produce a tripartite polarization entangled state in this experiment, the entangled states with much more submodes are possible to be produced if the multipartite quadrature entangled states are available. Using the quadrature entangled states involving more submodes<sup>8,31</sup> and a proper beamsplitter network, the presented method can be extended to prepare polarization entangled states with more submodes and thus has potential applications in the future quantum information networks.

We acknowledge the support from the Natural Science Foundation of China (Grants Nos. 11322440, 11474190, 11304190, 11504220), FOK YING TUNG Education Foundation, and Natural Science Foundation of Shanxi Province (Grant No. 2014021001).

- <sup>1</sup>S. L. Braunstein and P. van Loock, *Rev. Mod. Phys.* **77**, 513 (2005).
- <sup>2</sup>D. Bouwmeester, J. W. Pan, K. Mattle, M. Eibl, H. Weinfurter, and A. Zeilinger, *Nature* **390**, 575 (1997).
- <sup>3</sup>D. Boschi, S. Branca, F. DeMartini, L. Hardy, and S. Popescu, *Phys. Rev. Lett.* **80**, 1121 (1998).
- <sup>4</sup>K. Honda, D. Akamatsu, M. Arikawa, Y. Yokoi, K. Akiba, S. Nagatsuka, T. Tanimura, A. Furusawa, and M. Kozuma, *Phys. Rev. Lett.* **100**, 093601 (2008).
- <sup>5</sup>J. Appel, E. Figueroa, D. Korystov, M. Lobino, and A. I. Lvovsky, *Phys. Rev. Lett.* **100**, 093602 (2008).
- <sup>6</sup>K. Jensen, W. Wasilewski, H. Krauter, T. Fernholz, B. M. Nielsen, M. Owari, M. B. Plenio, A. Serafini, M. M. Wolf, and E. S. Polzik, *Nat. Phys.* **7**, 13 (2011).
- <sup>7</sup>X. J. Jia, J. Zhang, Y. Wang, Y. P. Zhao, C. D. Xie, and K. C. Peng, *Phys. Rev. Lett.* **108**, 190501 (2012).
- <sup>8</sup>X. L. Su, S. H. Hao, X. W. Deng, L. Y. Ma, M. H. Wang, X. J. Jia, C. D. Xie, and K. C. Peng, *Nat. Commun.* **4**, 2828 (2013).

- <sup>9</sup>H. J. Kimble, *Nature* **453**, 1023 (2008).
- <sup>10</sup>X. J. Jia, Z. H. Yan, Z. Y. Duan, X. L. Su, H. Wang, C. D. Xie, and K. C. Peng, *Phys. Rev. Lett.* **109**, 253604 (2012).
- <sup>11</sup>L. C. Chen, Z. M. Meng, and X. D. Yu, *Acta Sin. Quantum Opt.* **20**, 119 (2014).
- <sup>12</sup>B. Julsgaard, A. Kozhekin, and E. S. Polzik, *Nature* **413**, 400 (2001).
- <sup>13</sup>W. P. Bowen, N. Treps, R. Schnabel, and P. K. Lam, *Phys. Rev. Lett.* **89**, 253601 (2002).
- <sup>14</sup>O. Glöckl, J. Heersink, N. Korolkova, G. Leuchs, and S. Lorenz, *J. Opt. B: Quantum Semiclassical Opt.* **5**, S492 (2003).
- <sup>15</sup>T. Sh. Iskhakov, I. N. Agafonov, M. V. Chekhova, and G. Leuchs, *Phys. Rev. Lett.* **109**, 150502 (2012).
- <sup>16</sup>N. Korolkova, G. Leuchs, R. Loudon, T. C. Ralph, and C. Silberhorn, *Phys. Rev. A* **65**, 052306 (2002).
- <sup>17</sup>R. F. Dong, J. Heersink, J. Yoshikawa, O. Glöckl, U. L. Andersen, and G. Leuchs, *New J. Phys.* **9**, 410 (2007).
- <sup>18</sup>V. Josse, A. Dantan, A. Bramati, M. Pinar, and E. Giacobino, *Phys. Rev. Lett.* **92**, 123601 (2004).
- <sup>19</sup>Z. H. Yan and X. J. Jia, *J. Opt. Soc. Am. B* **32**, 2139 (2015).
- <sup>20</sup>R. Y. Teh and M. D. Reid, *Phys. Rev. A* **90**, 062337 (2014).
- <sup>21</sup>G. G. Stokes, *Trans. Cambridge Philos. Soc.* **9**, 399 (1852).
- <sup>22</sup>P. van Loock and A. Furusawa, *Phys. Rev. A* **67**, 052315 (2003).
- <sup>23</sup>J. Zhang, C. D. Xie, and K. C. Peng, *Phys. Lett. A* **299**, 427 (2002).
- <sup>24</sup>L. M. Duan, G. Giedke, J. I. Cirac, and P. Zoller, *Phys. Rev. Lett.* **84**, 2722 (2000).
- <sup>25</sup>R. Simon, *Phys. Rev. Lett.* **84**, 2726 (2000).
- <sup>26</sup>H. F. Hofmann and S. Takeuchi, *Phys. Rev. A* **68**, 032103 (2003).
- <sup>27</sup>X. Wen, Y. S. Han, J. D. Bai, J. He, Y. H. Wang, B. D. Yang, and J. M. Wang, *Opt. Express* **22**, 32293 (2014).
- <sup>28</sup>X. Deng, J. Zhang, Y. C. Zhang, G. Li, and T. C. Zhang, *Opt. Express* **21**, 25907 (2013).
- <sup>29</sup>Y. Y. Zhou, X. J. Jia, F. Li, C. D. Xie, and K. C. Peng, *Opt. Express* **23**, 4952 (2015).
- <sup>30</sup>M. Mehmet, S. Ast, T. Eberle, S. Steinlechner, H. Vahlbruch, and R. Schnabel, *Opt. Express* **19**, 25763 (2011).
- <sup>31</sup>M. Yukawa, R. Ukai, P. van Loock, and A. Furusawa, *Phys. Rev. A* **78**, 012301 (2008).